



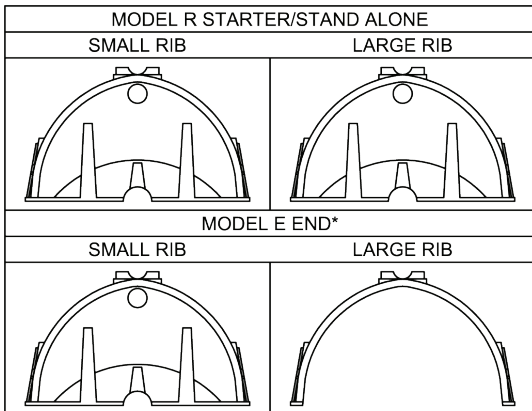
# CULTEC RECHARGER® 280HD SEPTIC CHAMBER

The Recharger® 280HD is a 26.5" (673 mm) tall, larger capacity septic chamber. Fewer units are required resulting in a smaller overall footprint, where approved.

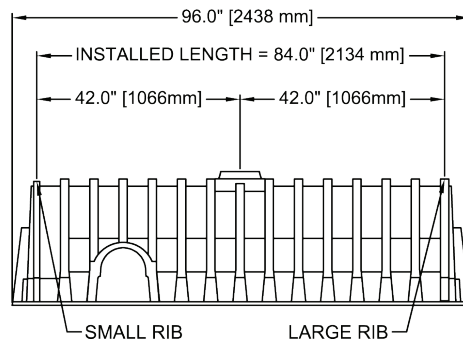
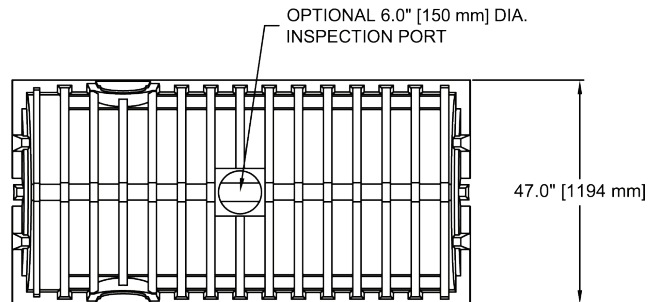
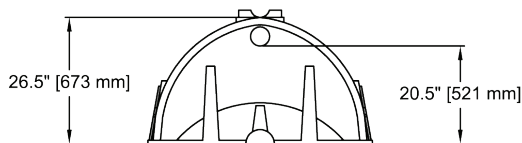
Size (L x W x H)	8' x 47" x 26.5" 2.44 m x 1194 mm x 673 mm
Installed Length	7' 2.13 m
Length Adjustment per Run	1' 0.30 m
Chamber Storage	6.08 ft <sup>3</sup> /ft 0.56 m <sup>3</sup> /m 42.55 ft <sup>3</sup> /unit 1.21 m <sup>3</sup> /unit
Max. Allowable Cover	12' 3.66 m
Invert Height	20.5" 521 mm



Available in Heavy Duty only.



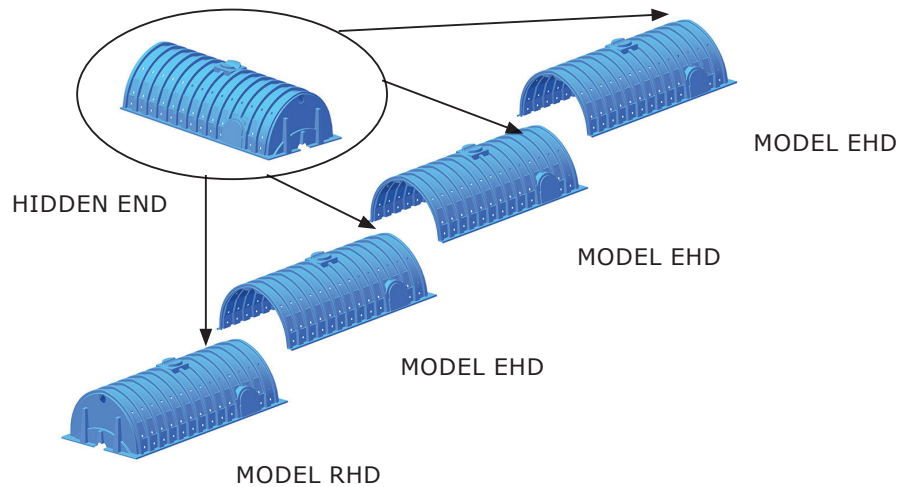
\*MAY ALSO BE USED AS AN INTERMEDIATE UNIT TO EXTEND THE LENGTH OF A RUN.



For more information, contact CULTEC at (203) 775-4416 or visit [www.cultec.com](http://www.cultec.com).



## Typical Interlock Installation



## CULTEC Recharger® 280HD Specifications

### GENERAL

CULTEC Recharger® 280HD septic chambers are designed to be used for septic leachfields.

### CHAMBER PARAMETERS

1. The chambers shall be manufactured in the U.S.A. by CULTEC, Inc. of Brookfield, CT (cultec.com, 203-775-4416).
2. The chamber shall be vacuum thermoformed of polyethylene with a black interior and blue exterior.
3. The chamber shall be arched in shape.
4. The chamber shall be open-bottomed.
5. The chamber shall be joined using an interlocking overlapping rib method. Connections must be fully shouldered overlapping ribs, having no separate couplings or separate end walls.
6. The nominal chamber dimensions of the CULTEC Recharger® 280HD shall be 26.5 inches (673 mm) tall, 47 inches (1194 mm) wide and 8 feet (2.44 m) long. The installed length of a joined Recharger® 280HD shall be 7 feet (2.13 m).
7. The nominal storage volume of the Recharger® 280HD chamber shall be 6.079 ft<sup>3</sup> / ft (0.565 m<sup>3</sup> / m). The nominal storage volume of a single Recharger 280RHD Starter / Stand Alone unit shall be 48.63 ft<sup>3</sup> (1.38 m<sup>3</sup>). The nominal storage volume of a joined Recharger® 280EHD Intermediate unit shall be 42.553 ft<sup>3</sup> (1.205 m<sup>3</sup>). The nominal storage volume of the length adjustment amount per run shall be 6.08 ft<sup>3</sup> (0.56 m<sup>3</sup>).
8. The Recharger® 280HD chamber shall have seventy-two discharge holes bored into the sidewalls of the unit's core to promote lateral conveyance of water.
9. The Recharger® 280HD chamber shall have 15 corrugations.
10. The endwall of the chamber, when present, shall be an integral part of the continuously formed unit. Separate end plates cannot be used with this unit.
11. The Recharger® 280RHD Starter / Stand Alone unit must be formed as a whole chamber having two fully formed integral endwalls and having no separate end plates or separate end walls.
12. The Recharger® 280EHD Middle/ End unit must be formed as a whole chamber having one fully formed integral endwall and one fully open end wall and having no separate end plates or end walls.
13. Chambers must have horizontal stiffening flex reduction steps between the ribs.
14. Heavy duty units are designated by a colored stripe formed into the part along the length of the chamber.
15. The chamber shall have a raised integral cap at the top of the arch in the center of each unit to be used as an optional inspection port or clean-out.
16. The units may be trimmed to custom lengths by cutting back to any corrugation on the large rib end.
17. The chamber shall be manufactured in an ISO 9001:2015 certified facility.
18. The chamber shall be designed and manufactured to meet the material and structural requirements of IAPMO PS 63-2019, including resistance to AASHTO H-10 and H-20 highway live loads, when installed in accordance with CULTEC's installation instructions.
19. Maximum allowable cover over the top of the chamber shall be 12' (3.66 m).
20. The chamber shall be designed to withstand traffic loads when installed according to CULTEC's recommended installation instructions.

For more information, contact CULTEC at (203) 775-4416 or visit [www.cultec.com](http://www.cultec.com).